

STL3 SERIES OUTDOOR LIGHTING

STL3-50W-30K
STL3-50W-50K



Selection:



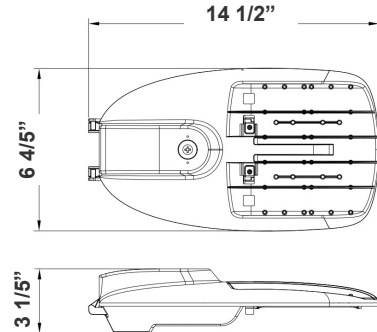
This outdoor lighting is ideal for general site lighting, street, roadway, alleys, loading docks, doorway, pathway, and parking areas

Customer Name: _____

Project Name: _____

Note: _____

Type: _____



14 1/2"(L) x 6 4/5"(W) x 3 1/5"(H)

Features

- Light Grey Finish
- With NEMA twist-lock Photocell Socket (Shorting Cap included)
- 7-Year Warranty
- Outdoor Light

Technical Specifications

Electrical:

- Voltage: 120-277V; 60Hz AC
- Power Factor: >0.95
- Wattage: 50W
- Efficacy: 135 LPW

Mechanical:

- Die-cast Aluminum with Powder Coat Finish (Light Grey)
- Cord Type: 40" SJTW 18/3 AWG Cable
- With 1-31/32" Diameter Pole Entry with Adapter Bracket Inside for Smaller Pole Diameters
- Maximum Ambient Temperature: 104°F
- Rated life: 50,000 hrs
- Wet Location
- IP Rating: IP65

Lighting:

- Lens Type: Optical TYPE III Lens, High Light Transmittance PC, Anti-UV and Flame Resistant
- Dimming: 0-10 Dimming
- Driver Located in Isolated Compartment for Improved Thermal Management
- Total Lumens: 6750LM
- Color Temperatures: 3000K/5000K
- Color Rendering Index: CRI ≥ 70

Applications:

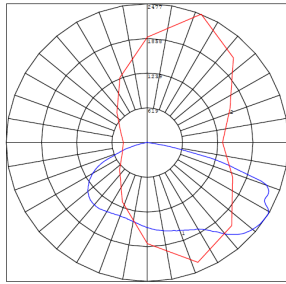
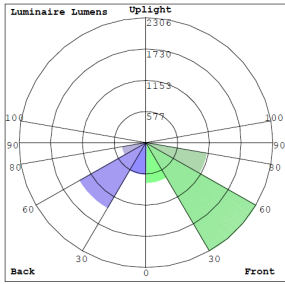
- Ideal for general site lighting, street, roadway, alleys, loading docks, doorway, pathway and parking areas

Other Models:

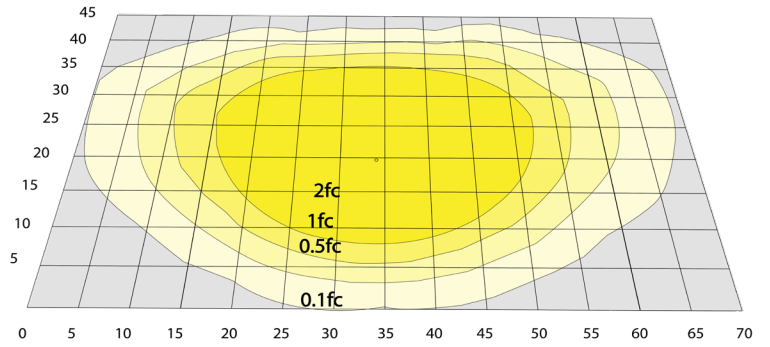
• 30W | 3900LM | STL3-30W-30K • 80W | 10800LM | STL3-80W-30K • 100W | 13500LM | STL3-100W-30K • 150W | 21000LM | STL3-150W-30K • 200W | 27000LM | STL3-200W-30K
• 30W | 3900LM | STL3-30W-50K • 80W | 10800LM | STL3-80W-50K • 100W | 13500LM | STL3-100W-50K • 150W | 21000LM | STL3-150W-50K • 200W | 27000LM | STL3-200W-50K



Photometrics: STL3-50W



BUG Rating: B2-U0-G1



Area 45' x 70' Mounting Height: 9'

Other Views:



Side View



Front View



Back View



Mounting Hole View

Performance Table: STL3-50W

MODEL NO.	Wattage	Voltage	Lumens	Color Temp.	BUG Rating	LPW
STL3-50W-30K	50W	120-277V	6750LM	3000K	B2-U0-G1	135
STL3-50W-50K	50W	120-277V	6750LM	5000K	B2-U0-G1	135

Sample Ordering

Model **Watt** **Color Temp.**
 - -
 30K = 3000K
 50K = 5000K

Accessories:

Blank = No Option For Accessories

STL2-WMA = WALL MOUNTING ARM 19 3/5" LENGTH

PC-TWIST = 1800W TUNGSTEN TWIST LOCK PHOTOCELL

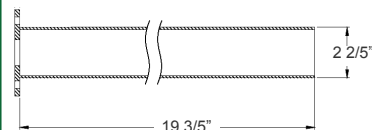
Example:

1. STL3-50W-30K (FOR STL3 50W 3000K OUTDOOR LIGHT FIXTURE 120-277V)
2. STL3-50W-30K (FOR STL3 50W 3000K OUTDOOR LIGHT FIXTURE 120-277V)
STL2-WMA (FOR WALL MOUNTING ARM 19 3/5" LENGTH)

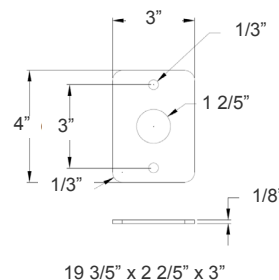
ACCESSORIES:



STL2-WMA
WALL MOUNTING ARM
19 3/5" LENGTH



PC-TWIST
1800W TUNGSTEN TWIST LOCK
PHOTOCELL



19 3/5" x 2 2/5" x 3"